

Terberg Dynamic Weighing

The leader in certified bin weighing technology

Looking for the best bin-weighing system on the market?

Look no further:

The next generation of certified dynamic weighing from Terberg (TMDW) provides a simple and reliable solution to meet all of your requirements for container weighing.

The TMDW solution has been designed and developed in-house for perfect integration with our entire range of market-leading bin lifts. It is accurate, instantaneous, robust and totally cost-effective over the vehicle's lifetime.

Who better to provide bin weighing than the bin lift manufacturer?

Here's why....



Dynamic: TMDW weighs while the bin is being lifted and lowered with zero impact on cycle times.



Accurate: Each bin is weighed 80 times in 0.5 seconds without stopping the lift.



TMDW can weigh two-wheeled bins with as little as 0.5kg content – a market leading figure.



Certified: It is approved by the EU's measuring instruments directive (MID 204/22/EC) and certified as Class Y(b), making it suitable for pay-by-weight operations.

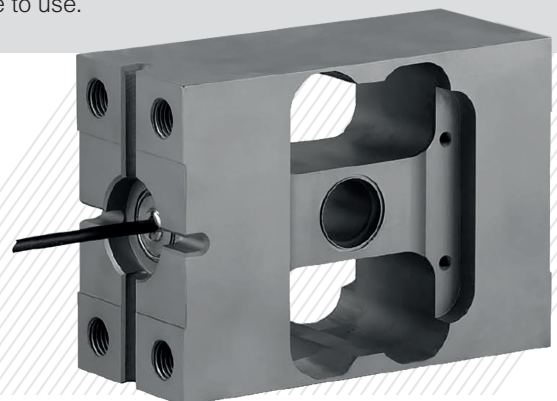


Added safety: It automatically rejects overweight bins and the cumulative weight function prevents vehicle overloading.



Robust: Smart design minimises damage.

In addition, it uses a CANbus interface with the chassis and lift, communicates via GSM, supports 'stop list' functions and it is compatible with most RFID and tag technologies making it simple to use.





TMDW offers huge operational benefits

By accurately measuring weights of individual bins and different waste streams, the TMDW provides the insight you need to make informed business decisions.

You can:

- ✓ Monitor trade and domestic collection rounds to improve efficiency
- ✓ Learn where to focus recycling campaigns
- ✓ Use profitability monitoring to identify customers with heavy bins
- ✓ Introduce pay-by-weight models

Designed to last

TMDW uses the most robust load cells in the marketplace, made from stainless steel for extra protection.

Our load cells can handle impact up to 6,000kg without being damaged. In addition, the bin lift itself is designed to protect the load cells. The composite flexible lower chair sections help in cushioning any impact and therefore lowering the chance of mechanical and vibrational damage.

Automotive quality connectors are used and the TMDW weighing unit is a fully potted module (IP68 compliant) providing full protection from water and dust.

Verification by Terberg

TMDW can be verified by Terberg Matec UK prior to delivery ensuring end users can get straight to work as soon as the system is delivered.

Our weighing systems bear the high-quality hallmark Terberg customers expect and this is matched by our Aftersales support, provided by highly trained and experienced engineers.

Take the joined-up approach...

Our integrated bin lift weighing, and RFID system provides a turn-key solution with one single point of contact for sales and the full Terberg after-sales service.

Terberg Matec UK, Leacroft Road, Birchwood, WA3 6PJ United Kingdom

 TerbergMatecUK

 terberg-matec

 @TerbergMatecUK

 +44 (0) 01925 283 905

 sales@terberg.co.uk

www.terbergmatec.co.uk

Looking for a bin weighing system?

For information about the Terberg weighing solution then please contact the Terberg sales office and we will be pleased to help.