

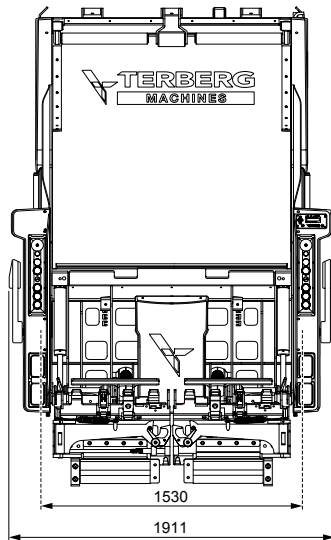
OMNIDEKA

The OmniDEKA comes with the expected robust build, safe operation and efficiency synonymous with the Terberg brand to provide the market with the best automatic high-level bin lift solution available today.

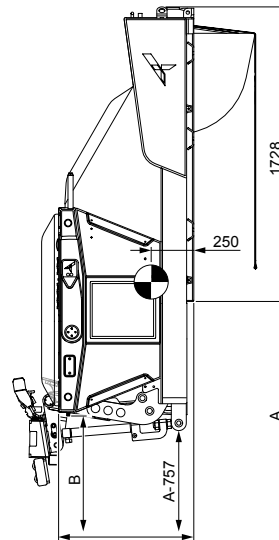


REASONS TO CHOOSE THE OMNIDEKA:

- OmniDEKA offers great flexibility with mounting heights to suit a variety of applications from 1150mm to 1675mm
- OmniDEKA provides ultra-strong lifting power for two-wheeled bins of 170kg and up to 700kg for four-wheeled bins
- The modern design of the OmniDEKA includes large side windows for maximum visibility and increased safety during operation
- Amazingly light, the OmniDEKA weighs just 650kg (without DIN pick up arms). The centre of gravity sits at 250mm
- Cycle time for two-wheeled EN840-1 containers is six-seven seconds whilst OmniDEKA will lift, discharge and return a four-wheeled EN840-2 or 3 container in 10-12 seconds
- Short rear overhang projection of just 800mm which increases to 1130mm with the drop down safety arms deployed
- Superbly steep container discharge angle of 46° to reduce the risk of non-emptying bins
- Universal mounting according to EN 1501-1
- 6 per cent more room on the footboards when compared to previous models
- The OmniDEKA dynamic split catcher bar operates automatically as required and moves back to its home position following container discharge
- The user friendly folding safety arms conform to EN1501-1 standard and provides guarding against entry into the functional working space during bin lift operation
- Ground clearance of ± 450 mm
- Kinetic energy is stored during the lifting cycle to provide an energy free chair return under gravity, which in turn reduces noise, saves energy and keeps wear and tear to a minimum
- Single point greasing
- Optional service modem possible
- Designed with weighing in mind, the OmniDEKA is designed to allow the integration of weighing and identification systems with ease. Consequently, the OmniDEKA has a smooth operation designed to minimise 'bin bounce' and a vertical initial lift providing a 'window' for ease of data recording



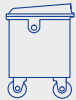
A	B
1200	528
1300	528
1400	528
1500	528
1600	578



TECHNICAL SPECIFICATIONS



EN 840-1 | 80-360L



EN 840-2 | 500-1280 L



EN 840-3 | 770-1100 L

Chair configuration

Single Man Trade (SMT)

Pick up arms for bins according to

EN 840-2/-3 with trunnions

Rear Protective Device (RPD)

4-wheeled recognition

Diagnostic display

Shaking

Terberg Weighing and RFID preparation

CleanOpen CANbus output

Packer Cycle Delay Control (PCDC)

Lifting capacity

Bin lift weight

Power source

Electrical connections

Hydraulic connections

Hydraulic specifications

Cycle time

Noise level

Safety and norm compliance

Split twin chairs

Standard

Option

Standard

Standard

Standard

Standard

Standard

Option

Option

Standard

170kg (split) / 500kg (linked)

Ca. 650kg

Hydraulic / electric

16-pin / 24v

Quick release couplings (DIN 2353, NW13, NW20)

Ideal 40 ltr./min., maximum 60 ltr./min., 180bar

2 wheel secs 6- 7(= dwell 0.5-1.5)/

4 wheel ±10-12 secs

< 61 dB(A)

CE machinery directive certification EN 1501-1 & EN 1505-5



TERBERG ZENITH

19 Gul Crescent, Singapore 629528

T +65 6861 1100, E sales.tz.sg@terberg.com, I www.terbergzenith.com.sg

Terberg Environmental reserve the right to change the specification or design of our equipment at any time without prior notification.