

SPEEDLINE SLM

SIDE-LOADING REFUSE COLLECTOR



The TERBERG ENVIRONMENTAL Group's extensive experience, with one of the leading manufacturers of high-tech lift systems, a tried and tested Speedline range in Germany and two large body assembly plants, has resulted in a highly efficient and robust unit with countless innovations. The Speedline SLM side-loading refuse collector features a high absorption capacity, thanks to the combination of its short cycle time, high-volume compaction chamber and a design that makes it easier for waste to be deposited inside of it.



SPEEDLINE SLM

SIDE-LOADING REFUSE COLLECTOR

1 PROPORTIONAL HYDRAULICS

High-end proportional hydraulics that reduce load losses (high efficiency/lower energy consumption).

2 LARGE HOPPER

Which increases its absorption capacity.

3 TWO LEACHATE TANKS

One on the rear door and one on the body, amounting to a total of 327 l / 257 l, depending on the body/capacity.

4 INSPECTION DOOR

Large dimensions. can be opened without needing to move the lift assembly.

5 SOUNDPROOFED CABINET

On the opposite side to the lift assembly. where all the hydraulic, pneumatic and electrical circuits are hosted.

6 PLATFORM

With a single platform for all chassis versions: diesel, CNG, electric.

OPTIONAL FEATURES FOR THE SPEEDLINE SLM

ADAPTATION OF CONTAINERS 700-1100 L

HOPPER PUSHING MECHANISM. Mechanical and hydraulic pushing mechanism with great coverage and maximum impact in the area where bridging occurs, especially when collecting paper and cardboard.

WEIGHING SYSTEM ON THE LIFT AND ON THE CHASSIS.

Option of installing cells on the lift arms and on the chassis, following the Olympus philosophy for perfect monitoring of each collection.

360° SYSTEM. Multi-camera system that offers a perfect view of the vehicle's surroundings during driving.

E-PTO. Electric Power Take-off (E-PTO) driven by an electric motor that is powered by a battery pack.

HOPPER COVER. Pneumatically-powered telescopic sliding roof system that prevents waste from being dispersed due to the vehicle's movement.

UNDERGROUND CONTAINER COLLECTION SYSTEM

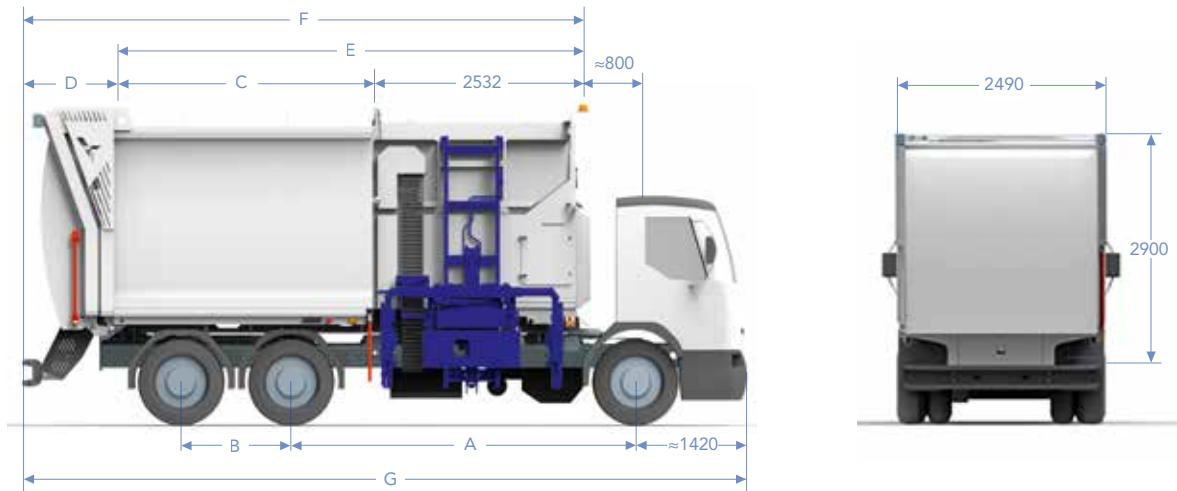
ADDITIONAL LEACHATE TANK. Option to install an additional leachate tank below the body platform, with the volume depending on the available space offered by the chassis.





ADVANTAGES OF THE SPEEDLINE SLM SIDE-LOADING COMPACTOR COLLECTOR

- **Compaction adapted** to the type of waste.
- **Different operating modes:** ECO, Comfort, Sport.
- **Centralised greasing**
- **Compaction cycle time (s) 11**
- **The sides of the body and rear door are made with a single steel sheet** which is highly resistant to wear and corrosion.
- **Greater leachate collection capacity.** Two leachate compartments. one on the body and the other on the rear door.
- **Pack on the Move.** Performs compaction while the unit is moving.
- **Automatic brake:** The brake remains engaged, even without pressing the pedal or engaging the handbrake, in order to speed up the collection process and reduce the movements carried out by the driver.
- **New and unique side movement.** The containers can be repositioned manually in any direction without having to move the truck.
- **Container configuration parameters.** All brands and common container types can be selected. with the option of easily adding future models and brands.
- **Perfect unloading kinematics.** Optimisation of the clearance between the container, the container lid and the compaction system. Minimisation of the risk of breaking the container lids. Minimisation of leaks. Less waiting time and improved cycle time.
- **Wide digital touchscreen (HMI).** Carefully positioned for outstanding driver ergonomics with no loss of visibility. Allows 3 cameras to be viewed simultaneously.
- **A proportional joystick with capacitive sensing technology.** The driver has total control of all movements at any speed.
- **Includes Terberg Connect,** a platform that collects data remotely, enabling remote diagnostics, adjustments, monitoring and software updates.
- **Automatic lighting** on the instrument panel.
- **Electrical cabinet isolated from the hydraulic circuit,** preventing any damage to devices (hydraulic steam).



WEIGHTS AND DIMENSIONS

MODEL		SLM-15	SLM-17	SLM-20	SLM-22	SLM-23	SLM-25	SLM-26	SLM-28
Chassis GVW (t) (1)		18	18	26	26	26	26	26/32	26/32
Bodywork volume (m ³)		15,1	17,0	19,7	21,6	22,2	24,1	24,8	26,7
Useful hopper capacity (m ³)		6 (1,7 + 4,3)							
Bodywork with lift tare weight (kg)		8275	8375	8600	8700	8800	8900	9000	9100
Recom. wheelbase: 1-2 axle (mm)	A	4200-4300	4200-4300	3900-4100	3900-4100	4200-4500	4200-4500	4400-4500	4400-4500
Recom. wheelbase: 2-3 axle (mm)	B	-	-	1350-1400	1350-1400	1350-1400	1350-1400	1350-1400	1350-1400
Body length (mm)	C	2050	2050	2900	2900	3400	3400	3900	3900
Rear door length (mm)	D	735	1120	735	1120	735	1120	735	1120
Body + hopper + compaction system length (mm)	E	4590	4590	5440	5440	5940	5940	6440	6440
SLM total length (mm)	F	5325	5710	6175	6560	6675	7060	7175	7560
Total vehicle length (mm)*	G	7545	7930	8395	8780	8895	9280	9395	9780

* The total length will vary depending on the front overhang of the chassis and the final distance from the body.

Certifications

- Compliance with European standards EN1501-1 and EN1501-5.
- Compliance with Directive 2006/42/EC on machinery safety.
- Compliance with European standard 2000/14/EC on noise emission.
- Certificate of hydraulic fluid cleanliness in accordance with ISO 4406.
- ISO 9001, ISO 14001, EMAS III, ISO 45001, ISO 50001, ISO 14006 and ISO 14064-1.



TERBERG ZENITH

19 Gul Crescent, Singapore 629528

T +65 6861 1100, E sales.tz.sg@terberg.com, I www.terbergzenith.com.sg

We reserve the right to carry out technical modifications. Modification of specifications may be carried out without prior notice. Illustrations may not necessarily depict current equipment versions.